

**100%** Money Back  
**Guarantee**

**Vendor:**Cisco

**Exam Code:**210-065

**Exam Name:**Implementing Cisco Video Network  
Devices

**Version:**Demo

**QUESTION 1**

Refer to the exhibit. Which SIP URI should be dialed in order to reach the endpoint that is registered with the IP address of 172.29.1.221 from another endpoint with a URI of sip:e20@dca256.test?



Status System VCS configuration Applications Maintena

### Registrations by device

Name	E.164	Type	Protocol	Creation time
<input type="checkbox"/> <a href="#">5002@osl147.local</a>		SIP UA	SIP	2013-01-06 14:34:01
<input type="checkbox"/> <a href="#">5911@osl147.local</a>		SIP UA	SIP	2013-01-02 12:05:15
<input type="checkbox"/> <a href="#">5912@osl147.local</a>		SIP UA	SIP	2013-01-02 11:09:10
<input type="checkbox"/> <a href="#">5913@osl147.local</a>		SIP UA	SIP	2013-01-02 11:09:10
<input type="checkbox"/> <a href="#">5914@osl147.local</a>		SIP UA	SIP	2013-01-02 11:43:41
<input type="checkbox"/> <a href="#">5915@osl147.local</a>		SIP UA	SIP	2013-01-02 11:30:25
<input type="checkbox"/> <a href="#">5916@osl147.local</a>		SIP UA	SIP	2013-01-02 11:55:28
<input type="checkbox"/> <a href="#">5919@osl147.local</a>		SIP UA	SIP	2013-01-15 19:33:07
<input type="checkbox"/> <a href="#">5921@osl147.local</a>		SIP UA	SIP	2013-01-02 11:09:10
<input type="checkbox"/> <a href="#">5922@osl147.local</a>		SIP UA	SIP	2013-01-02 11:09:10
<input type="checkbox"/> <a href="#">5923@osl147.local</a>		SIP UA	SIP	2013-01-02 11:09:10
<input type="checkbox"/> <a href="#">5924@osl147.local</a>		SIP UA	SIP	2013-01-02 11:09:10
<input type="checkbox"/> <a href="#">5925@osl147.local</a>		SIP UA	SIP	2013-01-02 11:09:10
<input type="checkbox"/> <a href="#">5926@osl147.local</a>		SIP UA	SIP	2013-01-02 11:09:10
<input type="checkbox"/> <a href="#">594@osl147.local</a>		Gateway	H323	2012-12-31 12:01:42
<input type="checkbox"/> <a href="#">594@osl147.local</a>		Gateway	H323	2012-12-31 12:01:42
<input type="checkbox"/> <a href="#">C60 osl147 Instructor</a>		Endpoint	H323	2013-01-06 14:34:01
<input type="checkbox"/> <a href="#">#x90@osl147.local</a>		SIP UA	SIP	2013-01-15 19:53:37
<input type="checkbox"/> <a href="#">lex90.pdx2901.local</a>	<a href="#">3336</a>	Endpoint	H323	2013-01-15 19:54:49
<input type="checkbox"/> <a href="#">mcu8510@osl147.local</a>		SIP UA	SIP	2013-01-02 11:53:15
<input type="checkbox"/> <a href="#">mcu8510@osl147.local</a>	<a href="#">5919</a>	MCU	H323	2013-01-15 19:31:26
<input type="checkbox"/> <a href="#">multiway@osl147.local</a>		SIP UA	SIP	2012-09-05 16:13:27

- A. 52900121
- B. sip:ex90@osl147.local
- C. ex90@osl148.local

D. 172.29.1.221

E. ex90

Correct Answer: B

---

## **QUESTION 2**

Which profile must be added to the end user profile when enabling an end user for Cisco Unified Presence?

A. device profile

B. UC service profile

C. extension mobility profile

D. SIP profile

Correct Answer: B

---

## **QUESTION 3**

How many participants if you have 20 licenses screen?

A. 1

B. 5

C. 10

D. 20

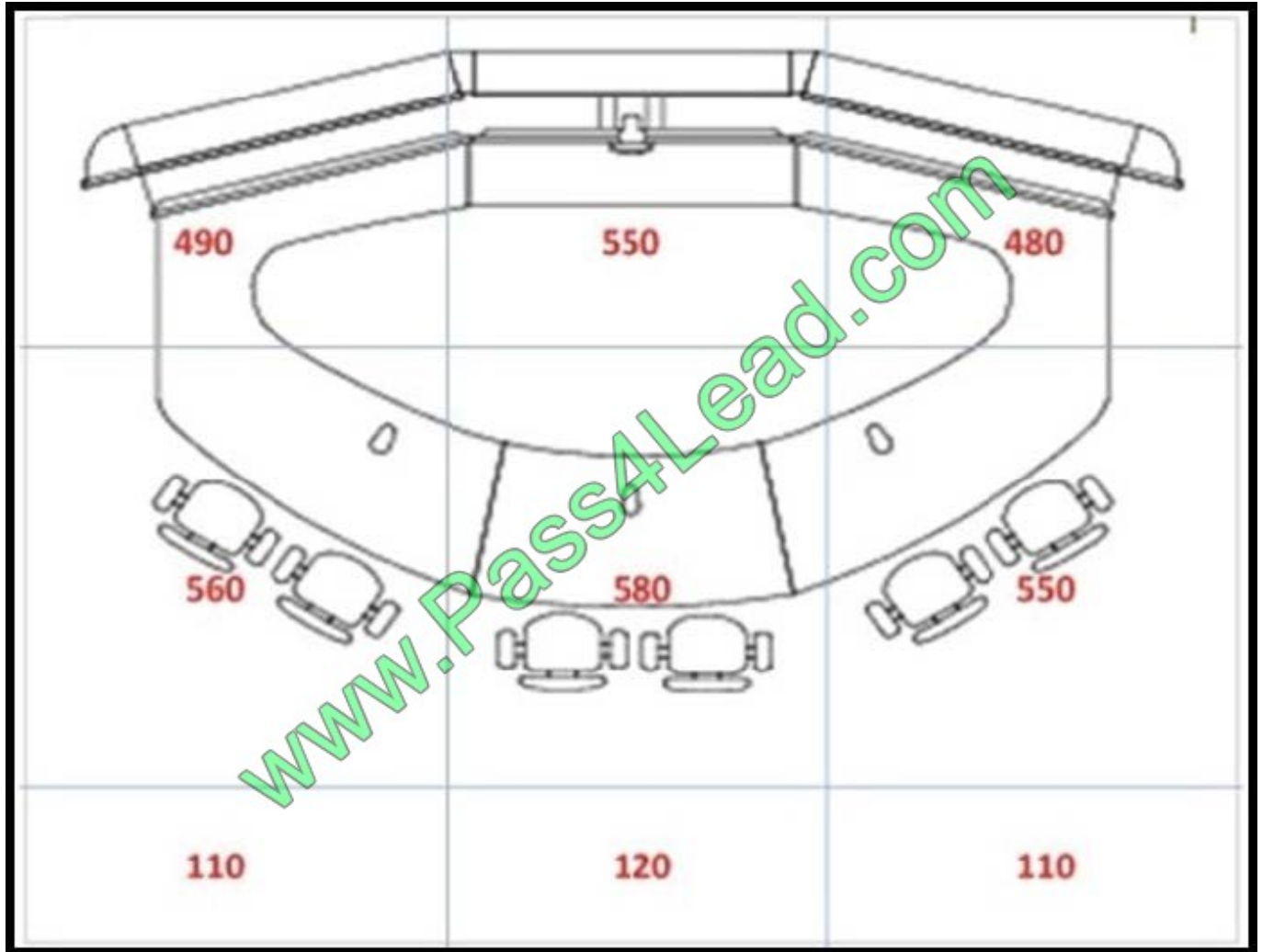
E. 40

Correct Answer: D

---

## **QUESTION 4**

Refer to the exhibit.



The numbers on the floor plan represent the horizontal average lux readings for nine different room areas. Considering Cisco best practices, what can you conclude about the lighting conditions?

- A. Only three areas meet the room lighting levels that are recommended by Cisco.
- B. Only three areas do not meet the room lighting levels that are recommended by Cisco.
- C. All areas meet the room lighting levels that are recommended by Cisco.
- D. The areas do not meet the room lighting levels that are recommended by Cisco.

Correct Answer: B

Cisco uses a tool called a lux meter to measure the intensity of light at various points within the room. There are essentially four different angles from which light should be measured: From the camera's point of view, looking toward the participants From the participant's point of view, looking toward the cameras From the participant's point of view, facing upward toward the ceiling From the perspective of the side and back walls

Cisco divides the room into sections, or zones, to measure light from all these different perspectives. Figure 8-27 illustrate the zones of a CTS-3000 room.

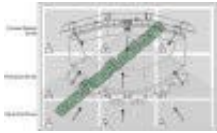


Figure 8.27 CTS-3000 illumination zones--top down view Zones 1 to 3 provide a measure of how much light is seen from the perspective of the cameras. Zones 4 to 6 provide a measure of how much light is seen from the perspective of the participants, and hence how well lit the participants will look on camera. Zones 4 to 6 also measure how much downward light strikes the shoulders of the participants and the table surface. Zones 7 to 9 provide a measure of how much light reaches the back wall. Within each zone, it is important to note the direction from which the light should be measured. In zones 1 to 3, the measurement is taken with the lux meter facing the participants. In zones 4 to 9, the measurement is taken with the lux meter facing the cameras. In zones 4 to 6, there is an additional measurement taken with the lux meter facing up toward the ceiling at shoulder height. Figure 8-28 illustrates the direction the lux meter should be facing within each of the zones.



Figure 8-28 CTS-3000 illumination zones--side view

In zones 1 to 3, the light is measured with the lux meter facing toward the participants at approximately 5 feet (1.5 meters) from the floor. In zones 4 to 6, two separate measurements are taken:

One with the lux meter facing toward the cameras at approximately 5 feet (1.5 meters) from the floor.

The second with the lux meter facing up toward the ceiling at approximately 4 feet (1.2 meters) from the floor.

Finally, in zones 7 to 9, the light is measured with the lux meter facing toward the cameras at approximately 5 feet (1.5 meters) from the floor. Throughout all 9 zones, the light should measure approximately 400 lux, except for the second

measurement in zones 4 to 6, in which the light should measure approximately 600 to 700 lux. No point in the room should measure lower than 150 lux or higher than 700 lux. Areas that are lower than 150 lux appear completely black on

camera, and areas that are higher than 700 lux appear washed out on camera.

By following this methodology for measuring light within your TelePresence environment, you can achieve the best quality video and consistent, reproducible results. Although the illustrations provided are specific to the CTS-3000, you can

use the same methodology in smaller or bigger rooms by simply shrinking or increasing the size and number of zones.

Reference: <http://www.ciscopress.com/articles/article.asp?p=1351075&andseqNum=3>

## QUESTION 5

Which three features are supported by the Cisco Video Surveillance Encoding Server? (Choose three.)

- A. IP and analog cameras
- B. MPEG-2 and MPEG-4 encoding
- C. archiving

- D. motion detection
- E. clustering
- F. virtual matrix

Correct Answer: ACD

Cisco Video Surveillance Encoding Server features include: Flexibility to use a broad array of analog cameras and IP cameras Simultaneous MJPEG and MPEG-4 encoding Low-latency video with high-quality images CIF, 2CIF, and 4CIF, up to 30 fps PTZ and alarm inputs Motion detection Scalable deployment with multiple sites, cameras, users, and storage Archives at different frame rate, duration, and location Efficient redundant multi-site archiving that conserves bandwidth Loop- and event-tagged video recording and event export (video clip) capabilities Ability to connect to external storage

<https://supportforums.cisco.com/document/28981/cisco-video-surveillance-encoding-server>

---

#### QUESTION 6

Your customer has an EX60 at a home-office that is doing direct H.323 dialing. When they place calls to remote sites, they report that they cannot see video or hear audio from the remote sites. What is most likely the cause of this issue?

- A. NAT mode is not configured on the EX60.
- B. The HDMI cable that connects the EX60 to the monitor is not plugged in.
- C. A username and password must be configured on the EX60.
- D. QoS is not properly configured on the EX60.

Correct Answer: A

---

#### QUESTION 7

Which two endpoints support the multisite option? (Choose two.)

- A. C20
- B. SX10
- C. Jabber
- D. SX-20
- E. EX90
- F. EX60

Correct Answer: DE

---

#### QUESTION 8

Which protocol does the Cisco TelePresence Content Server use for call signaling?

- A. MGCP
- B. Cisco Proprietary
- C. SCCP
- D. H.323

Correct Answer: D

---

#### QUESTION 9

Which option is the Cisco recommended minimum viewing distance for a 52" monitor installed in a video conferencing room?

- A. 3.0 m
- B. 1.5 m
- C. 2.5 m
- D. 2.0 m

Correct Answer: D

Reference: [https://www.cisco.com/c/dam/en/us/td/docs/telepresence/endpoint/misc/user\\_guide/video\\_conferencing\\_room\\_primer\\_ver02.pdf](https://www.cisco.com/c/dam/en/us/td/docs/telepresence/endpoint/misc/user_guide/video_conferencing_room_primer_ver02.pdf)

---

#### QUESTION 10

A video engineer configured Cisco TMS to allow conference scheduling. The engineer set the Default Reservation Type for Scheduled Calls to Automatic Connect. Which option describes what this action accomplished?

- A. No conference resources are scheduled until a Cisco TelePresence form is selected.
- B. Calls are set up and launched by the organizer.
- C. WebEx invites for conferencing are sent automatically.
- D. Conferences are automatically started at the scheduled time.

Correct Answer: D

Automatic Connect: Cisco TMS will automatically connect all the participants at the specified time and date.

Reference: [http://www.cisco.com/c/dam/en/us/td/docs/telepresence/infrastructure/tms/admin\\_guide/Cisco\\_TMS\\_Admin\\_Guide\\_14-1.pdf](http://www.cisco.com/c/dam/en/us/td/docs/telepresence/infrastructure/tms/admin_guide/Cisco_TMS_Admin_Guide_14-1.pdf)

---

#### QUESTION 11



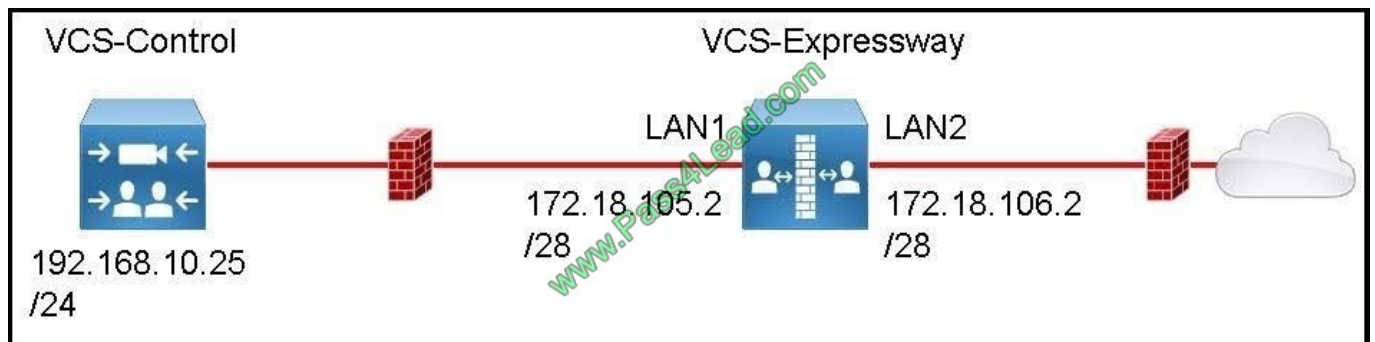
Which description of medianet is true?

- A. A set of protocols that accelerate the delivery of media across the network
- B. A family of switches and routers that support multimedia applications
- C. When the network works together with the endpoints to scale, optimize, and enhance the performance of collaboration components
- D. A capability of the network to enhance video streaming quality
- E. A Cisco proprietary feature that is built on hardware DSP resources

Correct Answer: C

## QUESTION 12

Refer to the exhibit.



You are deploying a Cisco VCS Expressway with the Advanced Networking option key into two separate DMZs. Gateways for all networks are the lowest usable IP address in the subnet. While you are logged in as an admin user, which command should you enter into the CLI, to enable IP routing to the Cisco VCS Control and nothing else on the internal network?

- A. xConfiguration IP Gateway: 172.18.105.1
- B. xConfiguration RouteAdd Address:192.168.10.25 PrefixLength:16 Gateway: 172.18.105.1 Interface: LAN1
- C. xCommand RouteAdd Address:192.168.0.0 PrefixLength:16 Gateway: 172.18.105.1 Interface: LAN1
- D. xCommand RouteAdd Address:192.168.10.25 PrefixLength:32 Gateway: 172.18.105.1 Interface: LAN1

Correct Answer: D

RouteAdd Adds and configures a new IP route (also known as a static route).

Address(r):

Specifies an IP address used in conjunction with the prefix length to determine the network to which this route applies.

Default: 32 PrefixLength(r):

Specifies the number of bits of the IP address which must match when determining the network to which this route applies.

Gateway(r):

Specifies the IP address of the gateway for this route.

Interface:

The LAN interface to use for this route. Auto: the VCS will select the most appropriate interface to use. Default: Auto

Example: xCommand RouteAdd Address: "10.13.8.0" PrefixLength: 32 Gateway: "192.44.0.1"

Reference:

[http://www.cisco.com/c/dam/en/us/td/docs/telepresence/infrastructure/vcs/admin\\_guide/Cisco-VCS-Administrator-Guide-X8-2.pdf](http://www.cisco.com/c/dam/en/us/td/docs/telepresence/infrastructure/vcs/admin_guide/Cisco-VCS-Administrator-Guide-X8-2.pdf)

To Read the [Whole Q&As](#), please purchase the [Complete Version](#) from [Our website](#).

## Try our product !

**100%** Guaranteed Success

**100%** Money Back Guarantee

**365** Days Free Update

**Instant Download** After Purchase

**24x7** Customer Support

Average **99.9%** Success Rate

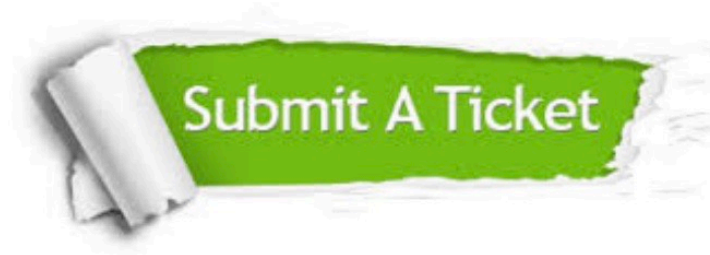
More than **800,000** Satisfied Customers Worldwide

Multi-Platform capabilities - **Windows, Mac, Android, iPhone, iPod, iPad, Kindle**

## Need Help

Please provide as much detail as possible so we can best assist you.

To update a previously submitted ticket:



 <p><b>One Year Free Update</b> Free update is available within One Year after your purchase. After One Year, you will get 50% discounts for updating. And we are proud to boast a 24/7 efficient Customer Support system via Email.</p>	 <p><b>Money Back Guarantee</b> To ensure that you are spending on quality products, we provide 100% money back guarantee for 30 days from the date of purchase.</p>	 <p><b>Security &amp; Privacy</b> We respect customer privacy. We use McAfee's security service to provide you with utmost security for your personal information &amp; peace of mind.</p>
---	---	--

Any charges made through this site will appear as Global Simulators Limited.

All trademarks are the property of their respective owners.